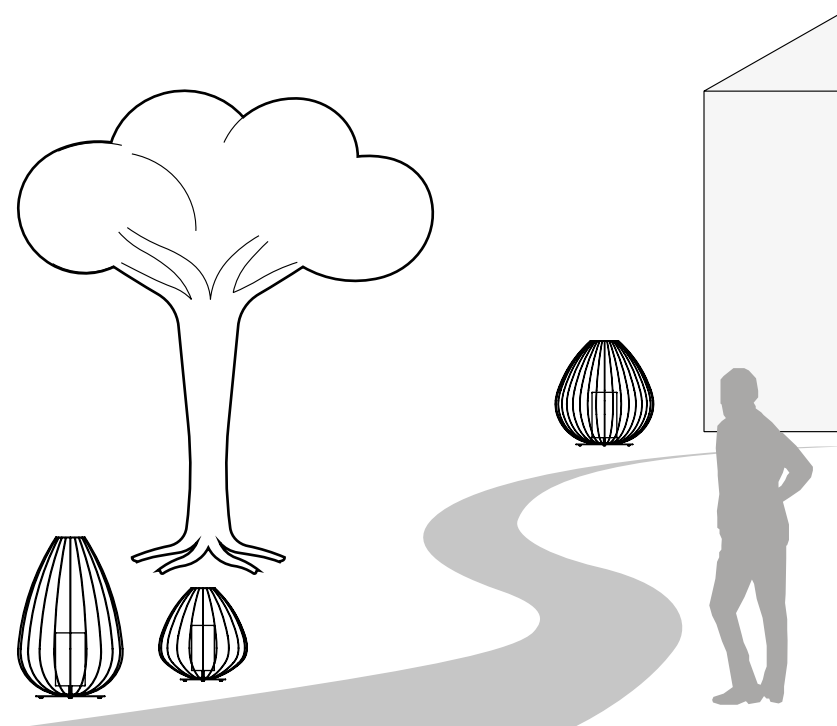


# CELL

M612-V1E  
M613-V1E  
M615-V1E

CT612 AM V1E  
HP613 BM V1E  
HP615 DM V1E

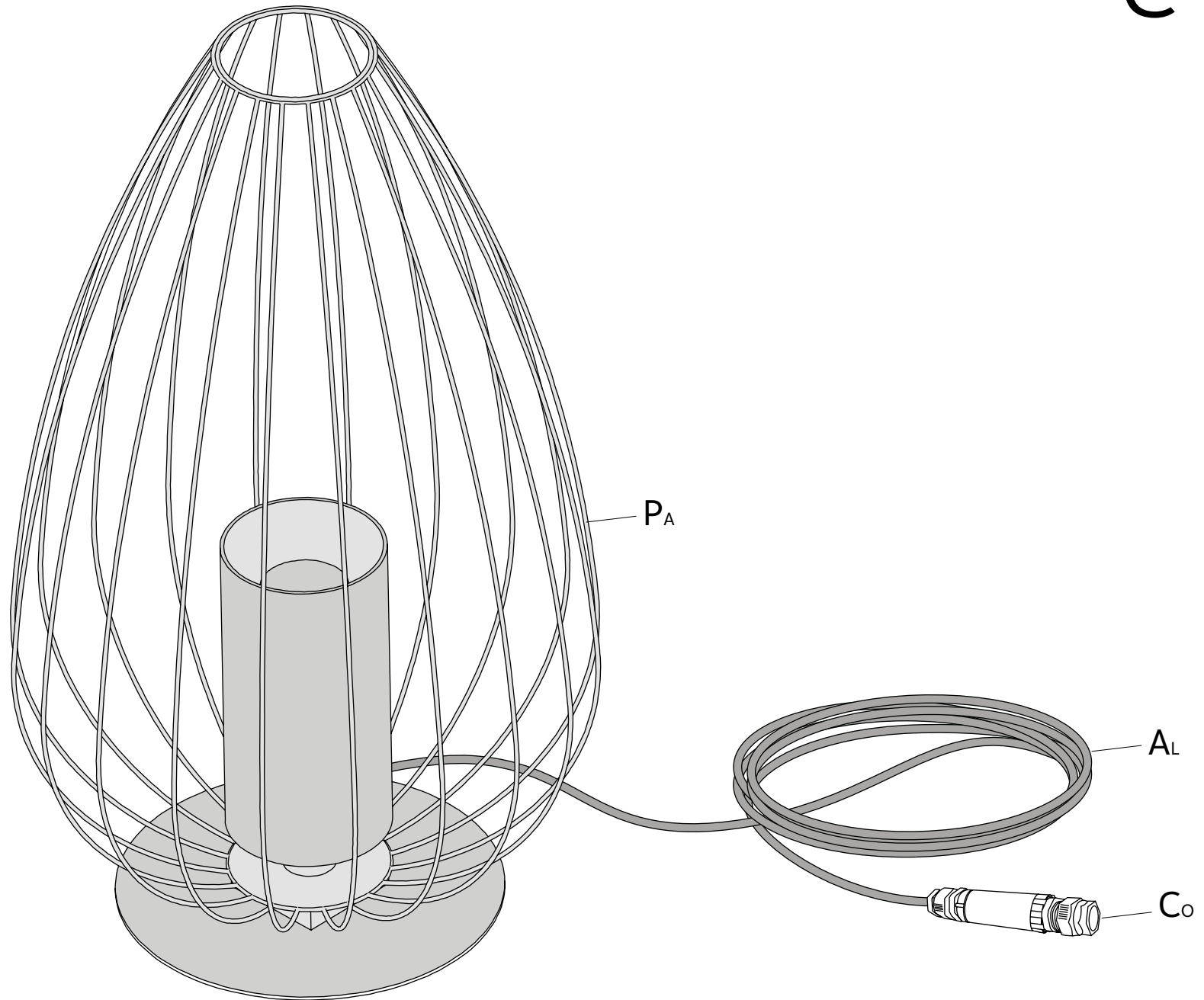
110V  
1 x max 18W LED - E26

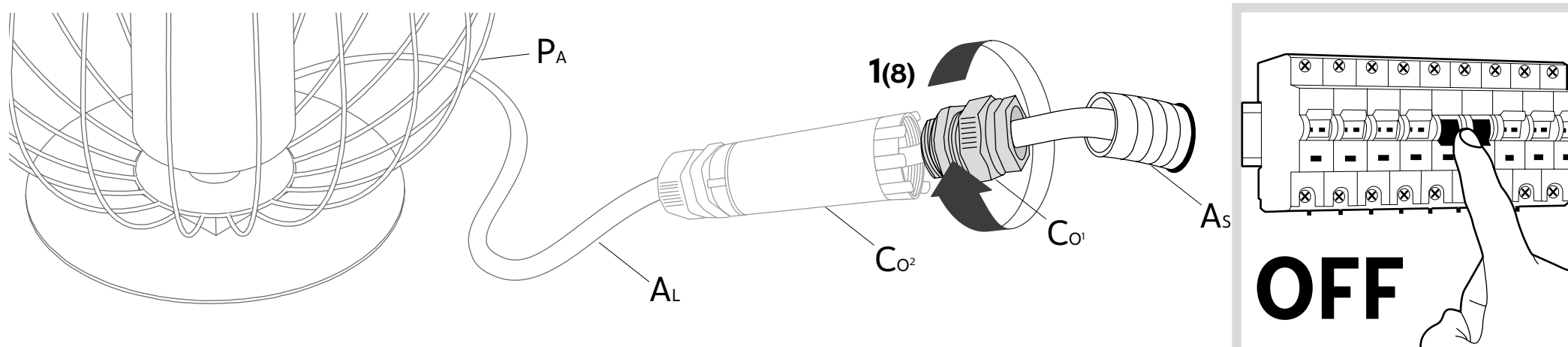
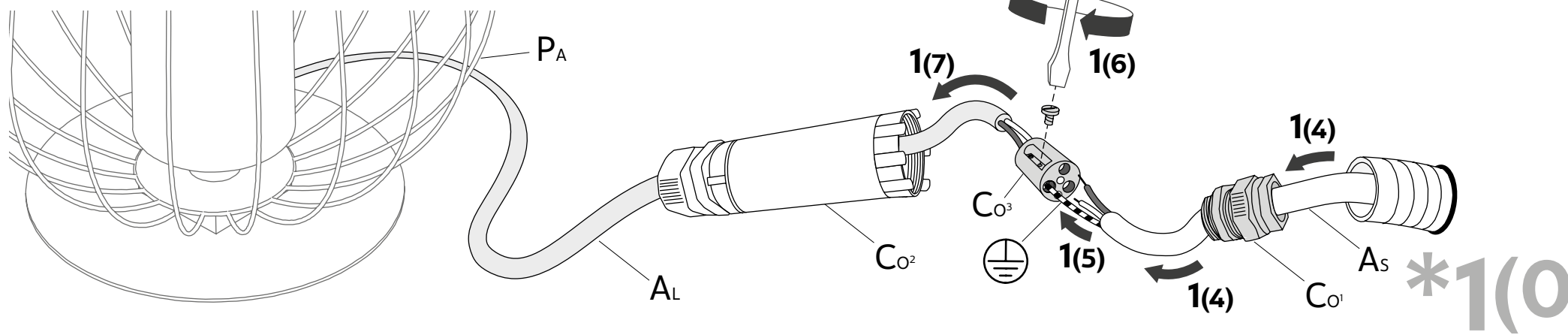
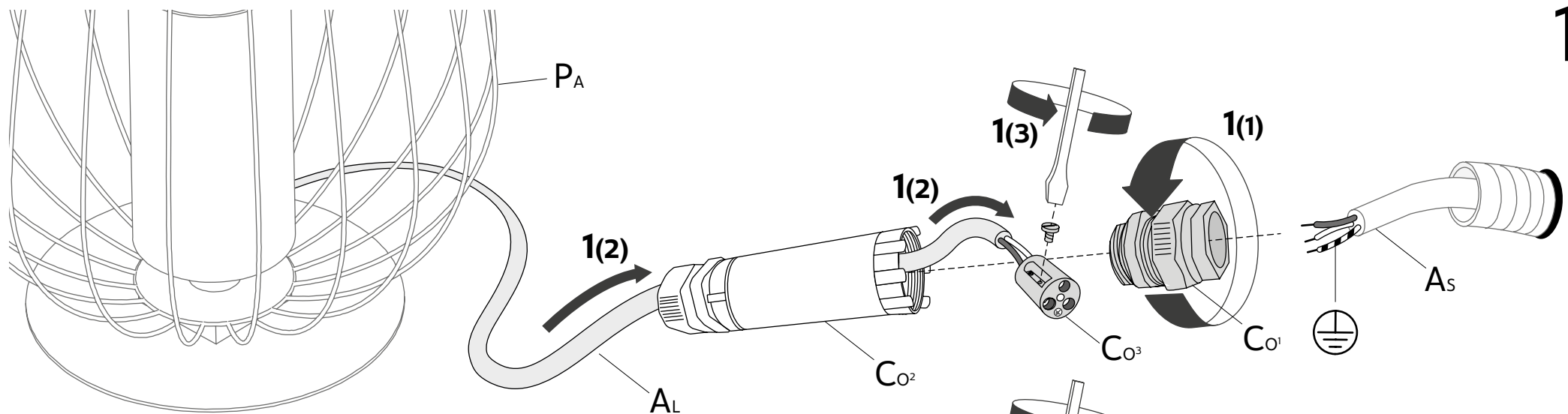


**WET LOCATION**

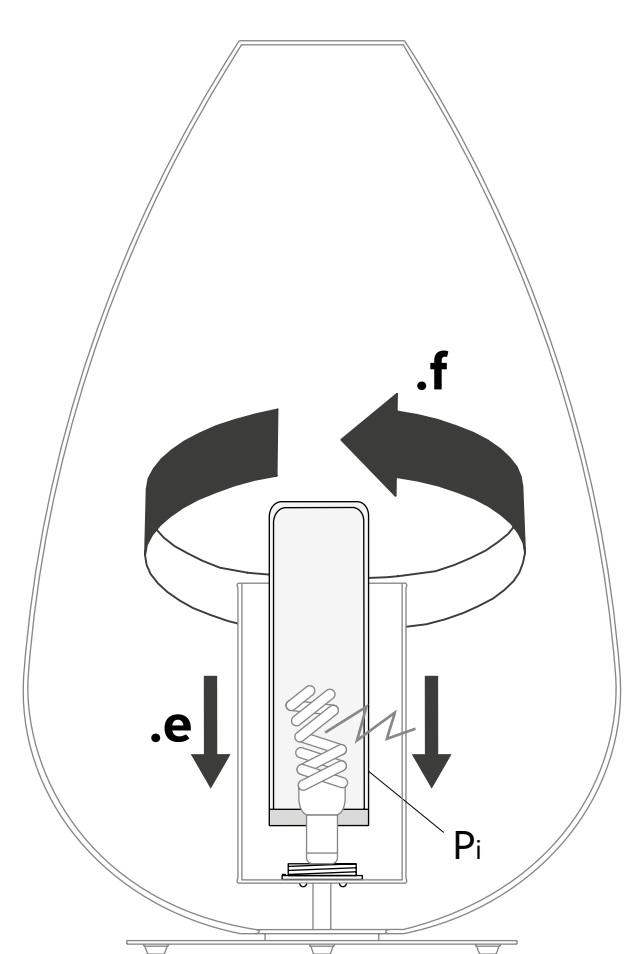
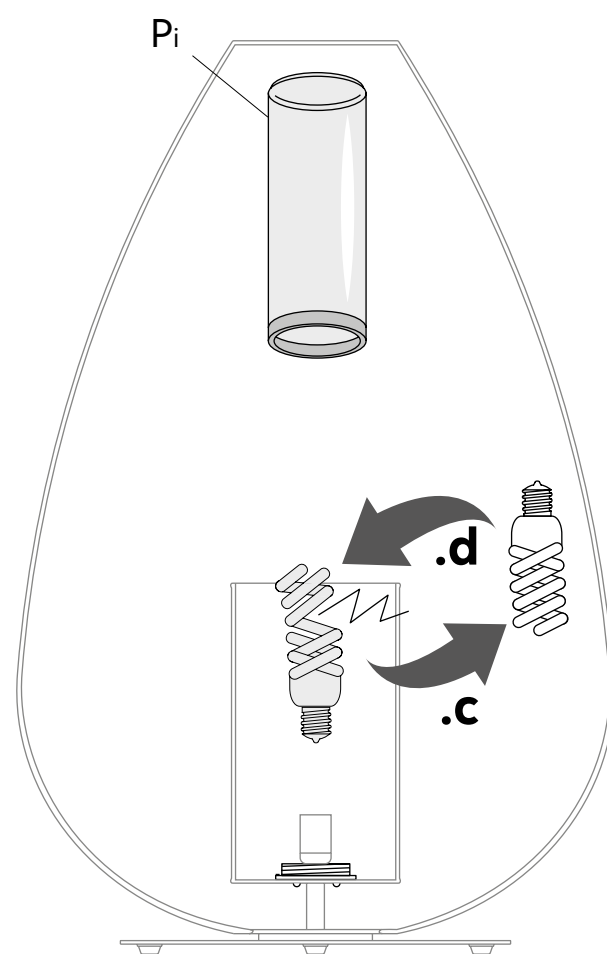
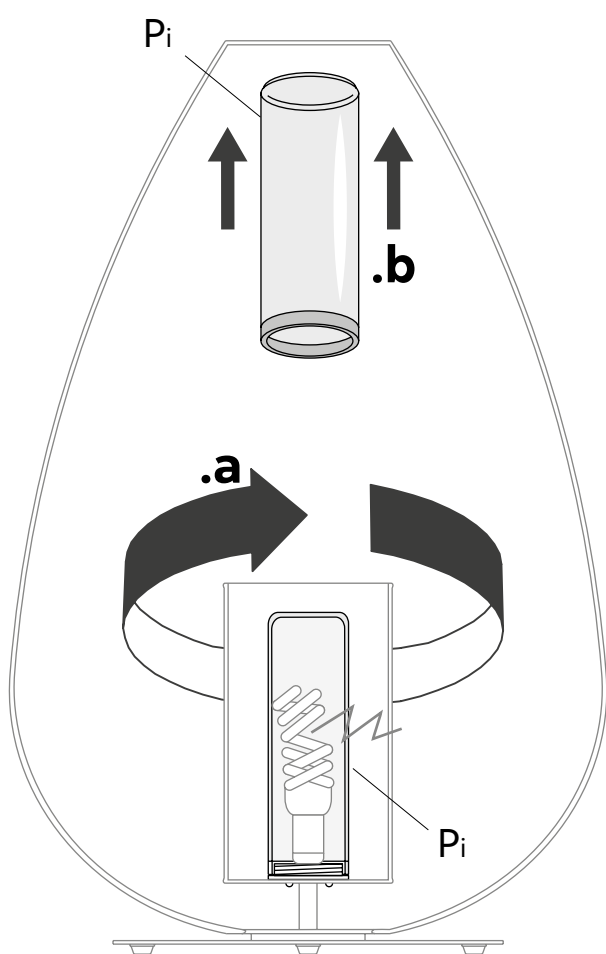
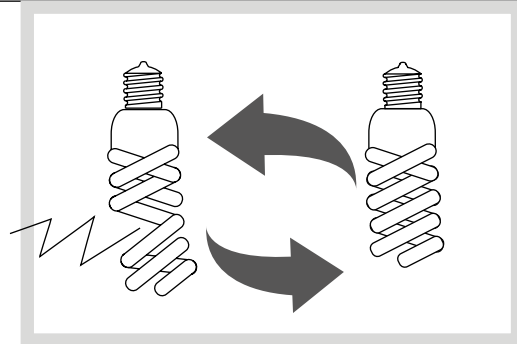


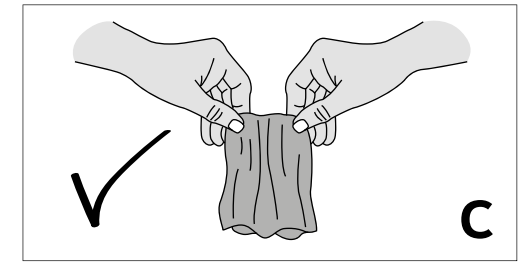
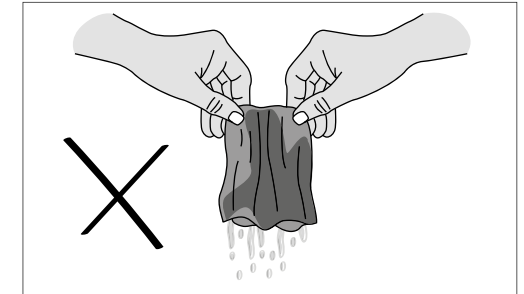
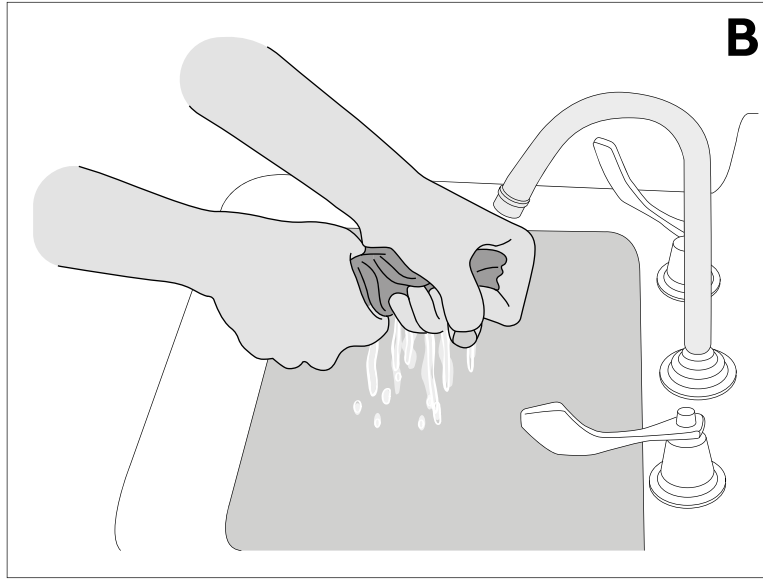
C - 01





\*1(0)





chemical agents

chemical agents

alcohol

